

CLEANING AND MAINTENANCE

CLEANING/MAINTENANCE INSTRUCTIONS

Follow these instructions to correctly and safely care for your fan. Please remember:

- Always unplug the fan before cleaning.
- Do not allow water to drip on or enter into fan housing.
- Be sure to use a soft cloth moistened with a mild soap solution.
- Do not use gasoline, thinner or benzene as a cleaner.

FAN CLEANING

Turn the fan off prior to cleaning. Clean the fan grills, extender screen, and extender panels with a soft, damp cloth. Please use caution around the motor housing area. Do not allow the motor or other electrical components to be exposed to water. Also, using a soft bristle brush attachment, a vacuum cleaner may be used to extract dust buildup on the grill areas.

FAN STORAGE INSTRUCTIONS

When storing your fan in the off season, it is important to keep it in a safe dry location. It is important to protect the fan head from dust. We strongly recommend using the original box from purchase.

- We recommend using the original (or appropriately sized) box.
- Please remember to protect the fan from dust or moisture.

WINDOW FAN ACCESSORIES

Window Fan Extender Panel (2310010000433)		To order please go to www.borghomeproducts.com or call 1-800-397-5964
---	---	---

If you have any questions regarding your product please contact our Consumer Service Department at 1-800-397-5964 or visit our website at www.borghomeproducts.com.

WARRANTY INFORMATION

5 YEAR LIMITED WARRANTY

Sunbeam Products, Inc. doing business as Jarden Consumer Solutions or if in Canada, Sunbeam Corporation (Canada) Limited doing business as Jarden Consumer Solutions (collectively "JCS") warrants that for a period of five years from the date of purchase, this product will be free from defects in material and workmanship. JCS, at its option, will repair or replace this product or any component of the product found to be defective during the warranty period.

Replacement will be made with a new or remanufactured product or component. If the product is no longer available, replacement may be made with a similar product of equal or greater value. This is your exclusive warranty. Do NOT attempt to repair or adjust any electrical or mechanical functions on this product. Doing so will void this warranty.

This warranty is valid for the original retail purchaser from the date of initial retail purchase and is not transferable. Keep the original sales receipt. Proof of purchase is required to obtain warranty performance. JCS dealers, service centers, or retail stores selling JCS products do not have the right to alter, modify or any way change the terms and conditions of this warranty.

This warranty does not cover normal wear of parts or damage resulting from any of the following: negligent use or misuse of the product, use on improper voltage or current, use contrary to the operating instructions, disassembly, repair or alteration by anyone other than JCS or an authorized JCS service center. Further, the warranty does not cover: Acts of God, such as fire, flood, hurricanes and tornadoes.

What are the limits on JCS's Liability?

JCS shall not be liable for any incidental or consequential damages caused by the breach of any express, implied or statutory warranty or condition.

Except to the extent prohibited by applicable law, any implied warranty or condition of merchantability or fitness for a particular purpose is limited in duration to the duration of the above warranty.

JCS disclaims all other warranties, conditions or representations, express, implied, statutory or otherwise.

JCS shall not be liable for any damages of any kind resulting from the purchase, use or misuse of, or inability to use the product including incidental, special, consequential or similar damages or loss of profits, or for any breach of contract, fundamental or otherwise, or for any claim brought against purchaser by any other party.

Some provinces, states or jurisdictions do not allow the exclusion or limitation of incidental or consequential damages or limitations on how long an implied warranty lasts, so the above limitations or exclusion may not apply to you.

This warranty gives you specific legal rights, and you may also have other rights that vary from province to province, state to state or jurisdiction to jurisdiction.

How to Obtain Warranty Service

In the U.S.A.

If you have any question regarding this warranty or would like to obtain warranty service, please call 1-800-397-5964 and a convenient service center address will be provided to you.

In Canada

If you have any question regarding this warranty or would like to obtain warranty service, please call 1-800-397-5964 and a convenient service center address will be provided to you.

In the U.S.A., this warranty is offered by Sunbeam Products, Inc. doing business as Jarden Consumer Solutions located in Boca Raton, Florida 33431. In Canada, this warranty is offered by Sunbeam Corporation (Canada) Limited doing business as Jarden Consumer Solutions, located at 20 B Hereford Street, Brampton, Ontario L6Y 0M1. If you have any other problem or claim in connection with this product, please write our Consumer Service Department. **PLEASE DO NOT RETURN THIS PRODUCT TO ANY OF THESE ADDRESSES OR TO THE PLACE OF PURCHASE.**

BORG™

Owner's Guide

BORGW2100R



Remote Control

Window Fan

PLEASE READ AND SAVE THESE IMPORTANT INSTRUCTIONS

© 2009 Sunbeam Products, Inc. doing business as Jarden Consumer Solutions. All Rights Reserved.

Distributed by Sunbeam Products, Inc. doing business as Jarden Consumer Solutions, Boca Raton, Florida 33431.

138957/9100010011463
GCDS-BOR15479-JC

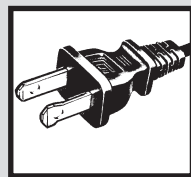
BORGW2100R09EM1

Printed In China

PLEASE READ AND SAVE THESE IMPORTANT SAFETY INSTRUCTIONS

When using electrical appliances, basic safety precautions should always be taken including the following:

1. Read all instructions before using this appliance.
2. Use fan only for purposes described in the instruction manual.
3. To protect against electrical shock do not immerse unit, plug or cord in water or spray with liquids. Plug the appliance directly into a 120V AC electrical outlet.
4. Close supervision is necessary when any appliance is used by or near children.
5. Unplug from outlet when not in use, when moving fan from one location to another, before putting on or taking off parts and before cleaning.
6. Avoid contact with moving parts.
7. Do not operate in the presence of explosive and/or flammable fumes.
8. To avoid fire hazard, NEVER place the cord under rugs or any parts near an open flame, cooking or other heating appliance.
9. Do not operate any appliance with a damaged cord or plug after the appliance malfunctions, or has been dropped/damaged in any manner. Discard fan or return to an authorized service facility for examination and/or repair.
10. The use of attachments not recommended or sold by the appliance manufacturer may cause hazards.
11. Do not use outdoors.
12. Do not let the cord hang over the edge of a table, counter or come in contact with hot surfaces or leave exposed to high traffic areas.
13. To disconnect, grip plug and pull from wall outlet. Never yank on cord.
14. Always use on a dry, level surface.



THIS APPLIANCE HAS A POLARIZED PLUG (one blade is wider than the other). To reduce the risk of electric shock, this plug is intended to fit in a polarized outlet only one way. If the plug does not fit fully in the outlet, reverse the plug. If it still does not fit, contact a qualified electrician to install the proper outlet.

DO NOT ATTEMPT TO MODIFY THIS PLUG OR DEFEAT THIS SAFETY FEATURE IN ANY WAY.

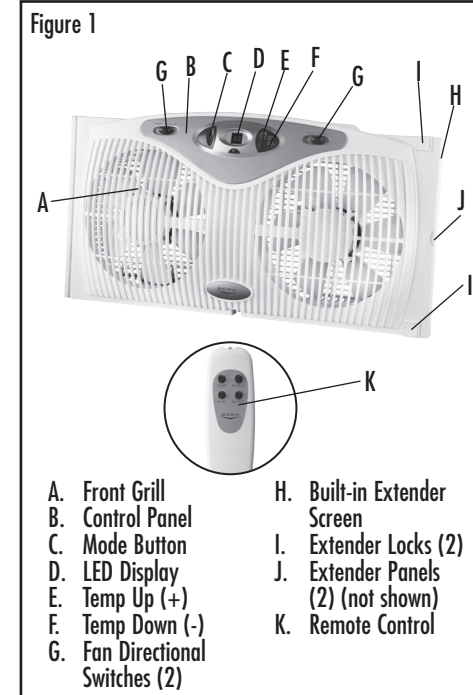
15. Do not operate fan until fully assembled with all parts properly in place.
16. This product is intended for household use ONLY and not for commercial or industrial applications.
17. **WARNING:** To reduce the risk of fire or electric shock, do not use this fan with any solid-state speed control device.

PLEASE READ AND SAVE THESE IMPORTANT SAFETY INSTRUCTIONS

FEATURES - OPERATIONS

INSTALLATION INSTRUCTIONS

Carefully unpack contents from carton.

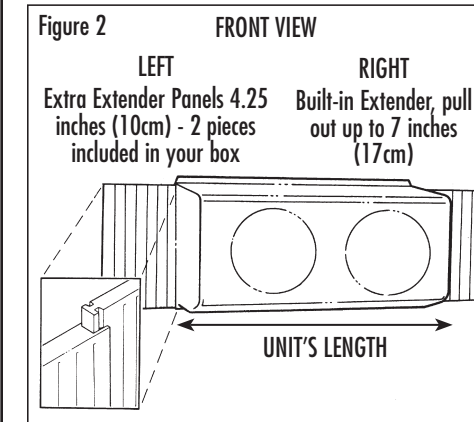


FOR DOUBLE-HUNG AND SLIDER WINDOWS

1. Set the fan into your window opening (note that the window screen does not have to be removed or left open.)
2. If the fan does not fit snugly to the top and bottom of the window casing, attach the Extender Panel(s) and adjust the built in extender screen until the fan fits safely in your window. (See Figure 2)
3. To keep the fan in place, carefully close the window so that the bottom edge of the window rests on the flat surface on top of the fan.

NOTE: FOR SLIDER WINDOWS, SET THE FAN VERTICALLY IN YOUR WINDOW OPENING WITH THE LEFT SIDE OF THE FAN SITUATED ON THE BOTTOM AND THE BUILT-IN EXTENDER SCREEN FACING UPWARDS.

WARNING: BE SURE FAN IS SECURELY INSTALLED IN YOUR WINDOW AT ALL TIMES. DO NOT LEAN OR PUSH ON FAN WHILE IT IS IN THE WINDOW.



OPERATING INSTRUCTIONS

1. Plug cord into any standard 120 volt AC outlet.
2. To turn the fan on and control the speed, press the mode button. Note that pressing the mode button will allow you to cycle through the speed setting (High=3, Med=2, Low=1) as well as the Automatic Thermostat Temperature settings (Auto High = A3, Auto Medium = A2, Auto Low = A1). 0 indicates the Off position.
3. Set the airflow direction by sliding the fan directional switches located above each fan blade. Note that the fan blades work independently from one another and can be used for air intake (bring fresh air in from outside), exhaust (push air out from within the room) or exchange (cycles air in and out of the room simultaneously).

AUTO MODE

Your fan is equipped with a Programmable Digital Thermostat that will automatically turn the fan ON and OFF depending upon the preset comfort temperature. This is ideal for night time operation when temperatures can drop below comfort levels.

For example, if you set your fan to 75 degrees and the temperature drops to 74 degrees, the fan will

FEATURES - OPERATIONS

automatically turn off. The fan will automatically turn on again when the room temperature exceeds the set temperature.

SETTING AUTO MODE

1. Press the Mode button to scroll to the desired auto speed setting (A3, A2, or A1).
2. Choose the desired temperature setting by pressing the Temp Up (+) or Temp Down (-) buttons. You may select a temperature between 60 and 80 degrees Fahrenheit. Once the desired temperature is set, the digital display will return to show the ambient room temperature. View the set temperature by pressing either the Temp Up (+) or Temp Down (-) buttons.

IMPORTANT: If the fan does not start in the Auto mode, please be sure that the set temperature is below the current room temperature. Lower the set temperature if you would like the fan to start or switch over to the manual speed modes.

SETTING THE TIMER

1. Hold both the Temp Up (+) and Temp Down (-) buttons down until the digital display flashes "00".
2. Press the (+) or (-) buttons to change time in 1 hour increments. Note selection ranges from 1 to 16 hours. When in the timer mode, the time remaining will be displayed.

NOTE: If Timer is set when fan is ON, the time displayed will turn the fan OFF once elapsed. If Timer is set when fan is OFF, the time displayed will turn the fan ON. (The default ON speed setting is Manual Low).

NOTE: Timer function can be turned off by pressing the MODE key at any time.

REMOTE CONTROL

This unit includes two (2) AAA batteries, 1.5V.

Battery Replacement

- a) Locate the battery cover on the back of the remote control handset. Slide the battery cover off with your thumb.
- b) Remove old batteries.
- c) Insert two new batteries, pressing them firmly into their slot.
- d) Replace the battery cover.

NOTES:

- Do not mix old and new batteries.
- Do not mix alkaline, standard (carbon-zinc), or rechargeable (nickel-cadmium) batteries.
- Replace all batteries of a set at the same time.
- Clean the battery contacts and the devices' contacts prior to installing the batteries.
- Remove the batteries from the equipment when it is not being used for an extended period of time.
- Remove the used batteries promptly.

FCC STATEMENT

Potential for Radio/Television interference

This product has been tested and found to comply with the limits for a Class B digital device, pursuant to part 15 of the FCC rules.

These limits are designed to provide reasonable protection against harmful interference in a residential installation. The product generates, uses, and can radiate radio frequency energy and, if not installed and used in accordance with the instructions, may cause harmful interference to radio communications. However, there is no guarantee that the interference will not occur in a particular installation. If the product does cause harmful interference to radio or television reception, which can be determined by turning the product on or off, the user is encouraged to try to correct the interference by one or more of the following measures:

- Reorient or relocate the receiving antenna.
- Increase the separation between the product and the receiver.
- Connect the product into an outlet on a circuit different from that to which the receiver is connected.
- Consult the dealer or an experienced radio/TV technician for help.

Changes or modifications not expressly approved by the party responsible for compliance could void the user's authority to operate the equipment.